

Explication and Features

BMC-2000 can be used in smoking cessation programs by healthcare professionals. It also can be used as a noninvasive method to get %COHb in the patient's blood and to screen CO poisoned patients by medical consultant. The small size and light weight make the BMC-2000 ideal for hand held use. It is mainly used in smoking cessation clinics besides for instructional purposes to check on the client's progress and compliance.



What is Carbon Monoxide?

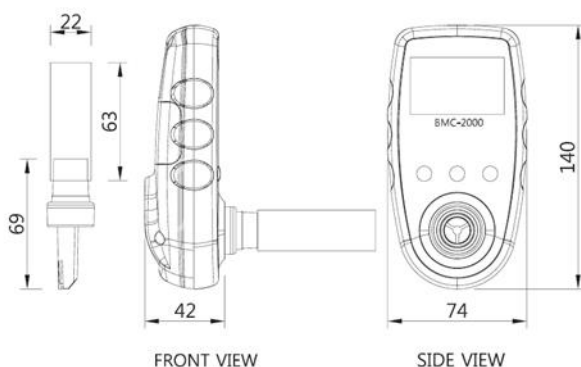
- Carbon monoxide (CO) is a colorless, odorless gas produced through incomplete combustion. CO is also a poisonous gas that binds with hemoglobin(Hb), the oxygen carrying molecule in human blood.
- Because CO's affinity to bind with Hb is 250 times greater than oxygen, low airborne concentration and long exposure time can result in substantial carboxyhemoglobin (COHb) concentrations in the blood.
- As COHb level increase, less hemoglobin is available for oxygen transport, which can result in CO poisoning.

What are the Effect to Smokers?

- Tobacco smoke, including second hand smoke, is a large source of CO in homes with smokers.
- Smokers have higher COHb values than nonsmokers and exposure to secondary tobacco smoke results in an increase in COHb values.
- Smokers generally have COHb values of five to six percent. Nonsmokers have COHb levels of 0.5 percent, whereas nonsmokers exposed to secondary tobacco smoke have been shown to have COHb levels in the two to three percent range.

About Senko BMC – 2000

- Non-Invasive method to know how much carbon monoxide(CO) percentage
- Indirect and simple instrument to measure carboxyhemoglobin(COHb) in blood
- Easy to discriminate smoker
- Easy to recognize the degree of CO poisoning (smoking habit)
- Concentration of CO in breath and percentage of COHb in blood are displayed simultaneously
- Adult / Pregnant / Young mode are provided



Model	BMC-2000
Measuring gas	CO
Measuring type	Breath through the mouth
Measuring method	Electrochemical cell
Measuring range	0~100ppm, 0~500ppm
Sensor life time	2 year
Countdown	15 seconds
Accuracy	±5%/Full scale or 1ppm
Sensor drift	1% / month
Hydrogen cross sensitivity	5~10% / Full scale
Resolution	1ppm
Parameter Control	Front 3 switch(calibration, maintenance, configuration setting)
Operation mode display	Visual : Graphic LCD Display, LED Indicator Audible : buzzer
Measuring value display	Graphic LCD Display
LED indicator	7 Steps (Green/Amber/Red)
Reset signal	Auto Power OFF
Mounting type	Pocket, Hand carry
User mode	Adult / Adolescent
Program set mode	Language(Korean, English), Age, Sound, Calibration
Operating temperature	0°C~40°C
Operating humidity	5 to 90% RH(Non-condensing)
Battery power	AA Size Alkaline battery 2ea
Battery life time	>1,000hour
Mouthpiece adapter	D type bacteria filter
Disposable mouthpiece	Diameter 22mm
Material	PC+ABS
LCD size	50(W) × 30(H) mm
Dimensions	140(W) × 42(H) × 74(D)mm
Weight	160g

DISTRIBUTOR :